



**Assembly, Installation, Operation and
Maintenance Instructions
Grille Guard**

**Part Number:
E0045S/T**

60 - 180 minutes

Dealer / Installer: Provide a copy of these instructions to the end user of this product. These instructions provide important operating and safety information for proper usage of this product. Demonstrate the proper use of the product with the end user. Have the end user demonstrate that they understand the proper use of the product.

End User: Read and follow all instructions included in this manual. Ask your Dealer / Installer for assistance if you do not understand the proper use of the product. Never remove any decals from the product. Failure to follow these instructions can result in injury or death.

⚠ WARNING ⚠

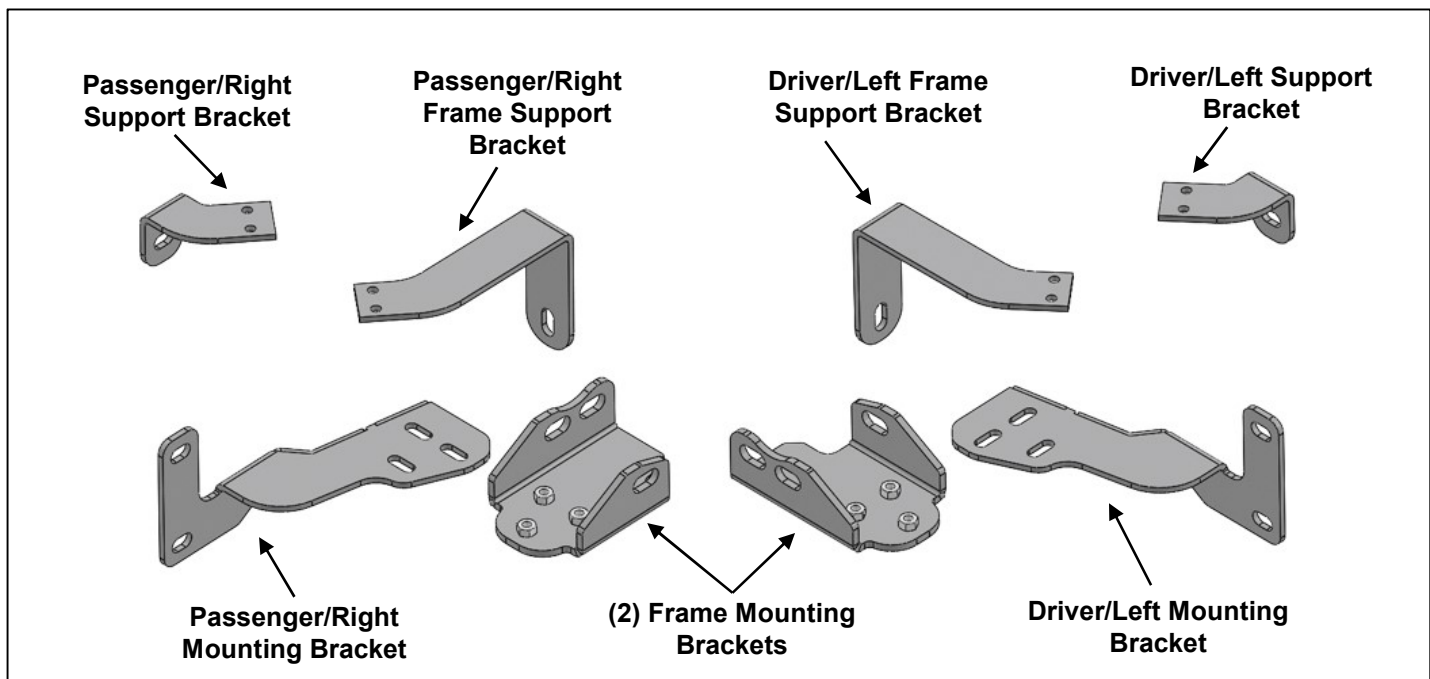
APPLICATION: 2021-Current CHEV TAHOE/SUBURBAN (EXCL. HIGH COUNTRY TRIM)

PARTS LIST

Qty	Part Description	Qty	Part Description
1	Grille Guard	6	12mm Lock Washers
2	Frame Mounting Bracket	6	12mm Hex Nuts
1	Driver/Left Mounting Bracket	6	10mm x 30mm Hex Bolts
1	Passenger/Right Mounting Bracket	12	10mm x 27mm OD x 3mm Flat Washers
1	Driver/Left Frame Support Bracket	6	10mm Lock Washers
1	Passenger/Right Frame Support Bracket	6	10mm Hex Nuts
1	Driver/Left Support Bracket	6	8mm x 30mm Hex Bolts
1	Passenger/Right Support Bracket	6	8mm Lock Washers
2	Adhesive Foam Tape Strips	6	8mm x 24mm OD x 2mm Flat Washers
2	12mm Double Bolt Plates	4	6mm x 20mm Combo Bolts
2	12mm Single Bolt Plates	4	6mm x 18mm OD x 1.6mm Flat Washers
6	12mm x 24mm OD x 2.5mm Flat Washers	4	6mm Hex Nuts

TORQUE SPECIFICATION

Size	Torque	Size	Torque
12 MM	70 ft/lbs	8 mm	20 ft/lbs
10 MM	34.5 ft/lbs		



INSTALLATION PROCEDURE:

REMOVE CONTENTS FROM BOX AND VERIFY ALL PARTS ARE PRESENT. READ INSTRUCTIONS CAREFULLY. CUTTING MAY BE REQUIRED. ASSISTANCE IS RECOMMENDED. INSTALLATION MAY INTERFERE WITH FRONT MOUNTED SENSORS AND ADAPTIVE CRUISE CONTROL. COMPLETE REMOVAL OF BUMPER COVER AND GRILLE ARE REQUIRED.

1. Remove the front license plate if equipped. Open the hood and remove the plastic cover between the top of the grille and the radiator, (Figure 1). NOTE: Use a small flat blade screw driver to pop up the center of the plastic clips.
2. Locate and remove the hardware attaching the grille. Remove the hardware attaching the bumper cover at the ends and along the bottom of the bumper. Remove the hardware attaching the bumper to the frame. On models with fog lights, unplug the wiring harness leading to the front bumper. Carefully pull the grille straight out from the vehicle and release the grille and bumper from the clips, (Figures 2—5). NOTE: Make sure all hardware has been removed before pulling on the grille and bumper. Place bumper and grille assembly on a clean surface.
3. Remove the tow hooks. Tow hooks will not be reattached to the vehicle.
4. Locate the end of the frame under the crossbar, (Figure 6). Select the (1) Frame Mounting Bracket. Slide the Bracket onto the end of the frame. Line up the Bracket with the (3) holes in the frame for the tow hook. NOTE: On models with tow hooks, trim the plastic around the Bracket as necessary for clearance.
5. Select (1) 12mm Double Bolt Plate. Insert the Double Bolt Plate into the end of the frame and out through the (2) holes in the side of the frame. Attach the Bracket to the Bolt Plate with (2) 12mm Flat Washers, (2) 12mm Lock Washers and (2) 12mm Hex Nuts, (Figures 7—8). Do not tighten hardware. Repeat this Step to install the 12mm Single Bolt Plate into the single remaining hole in the other side of the frame and Bracket, (Figures 7—8). Do not tighten hardware.
6. Remove the rubber strip over the crossbar. Temporarily remove the factory bolt from the upper crossbar, (Figure 9). Select the Driver/Left Frame Support Bracket. Attach (1) Adhesive Foam Strip to the bottom of the Frame Support Bracket, (Figure 10). Reuse the factory bolt to attach the Frame Support Bracket to the crossbar, (Figure 11).
7. Repeat Steps 3—5 to attach the remaining (1) Frame Mounting Bracket and the Passenger/Right Frame Support Bracket to the Passenger/Right side.
8. For models without tow hooks, remove the plastic covers to clear the Brackets, (Figure 12). Reattach the bumper and grille.
9. Select the Driver/Left Mounting Bracket. Attach the Mounting Bracket to the Frame Bracket with (3) 8mm Hex Bolts, (3) 8mm Lock Washers and (3) 8mm Flat Washers, (Figure 13). Do not tighten hardware.
10. Select the Driver/Left Support Bracket. Attach the Support Bracket to the Frame Support Bracket with (2) 6mm Combo Bolts, (2) 6mm Flat Washers and (2) 6mm Nylon Lock Nuts, (Figure 14). Do not tighten hardware.

11. Repeat Steps 8 & 9 to attach the Passenger/Right Mounting Bracket and Support Bracket.
12. Select the Grille Guard. With assistance, hold the Grille Guard up to the outside of the Mounting Brackets. Line up the (2) slots in the bottom of the Grille Guard to the slots in the Mounting Brackets. Attach the Grille Guard to the Mounting Brackets with (4) 10mm Hex Bolts, (8) 10mm Flat Washers, (4) 10mm Lock Washers and (4) 10mm Hex Nuts, (Figures 15 & 16). Do not tighten hardware.
13. Level and adjust the Grille Guard and fully tighten all hardware.
14. Attach the wiring harness if unplugged.
15. Do periodic inspections to the installation to make sure that all hardware is secure and tight.

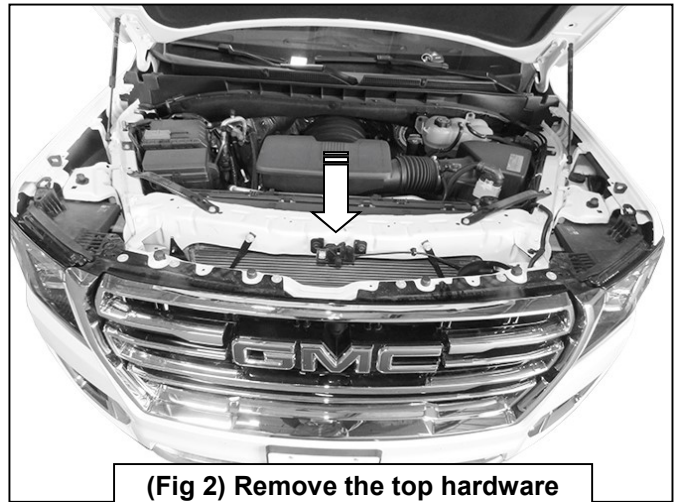
To protect your investment, wax this product after installing. Regular waxing is recommended to add a protective layer over the finish. Do not use any type of polish or wax that may contain abrasives that could damage the finish. Mild soap may be used to clean the Grille Guard

INSTALLATION IMAGES:

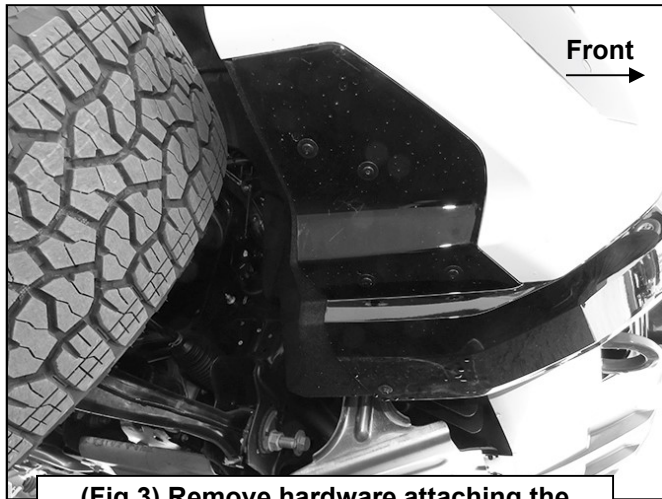
Driver Side Installation Pictured



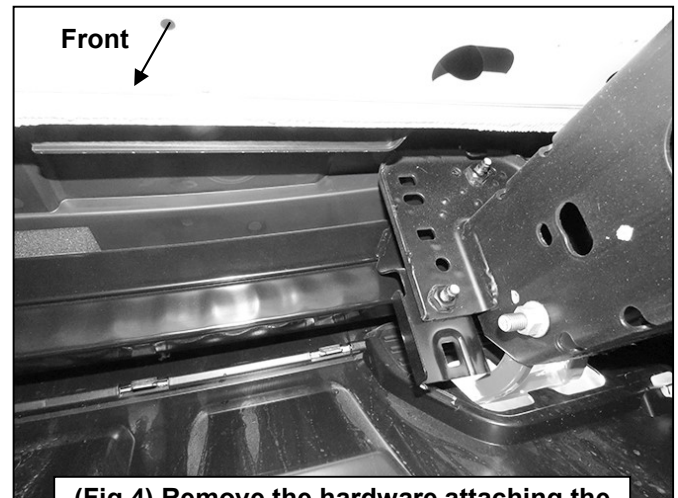
(Fig 1) Remove plastic cover from top of grille



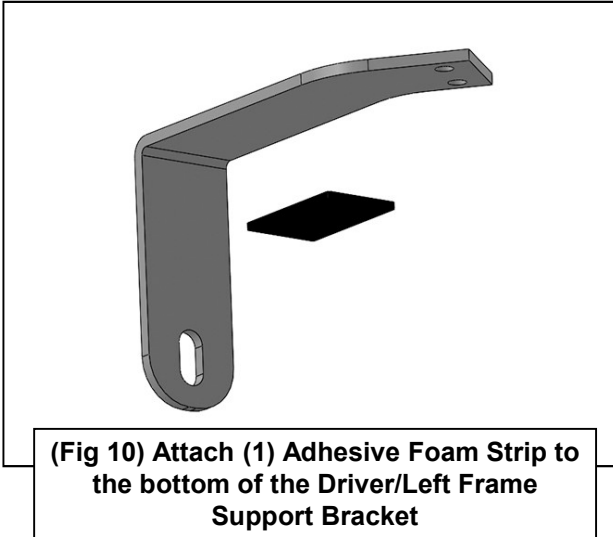
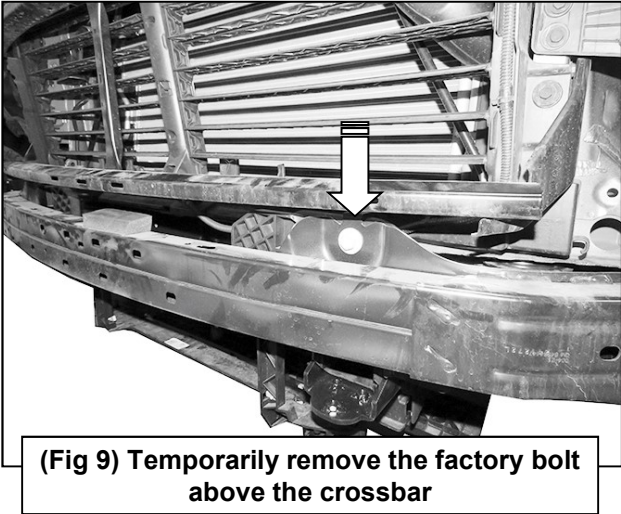
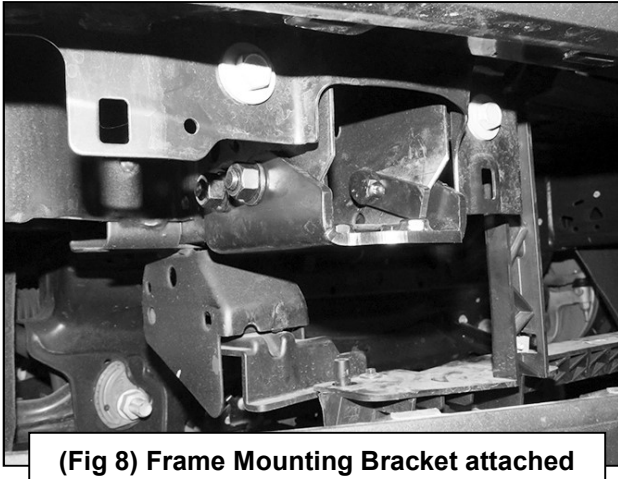
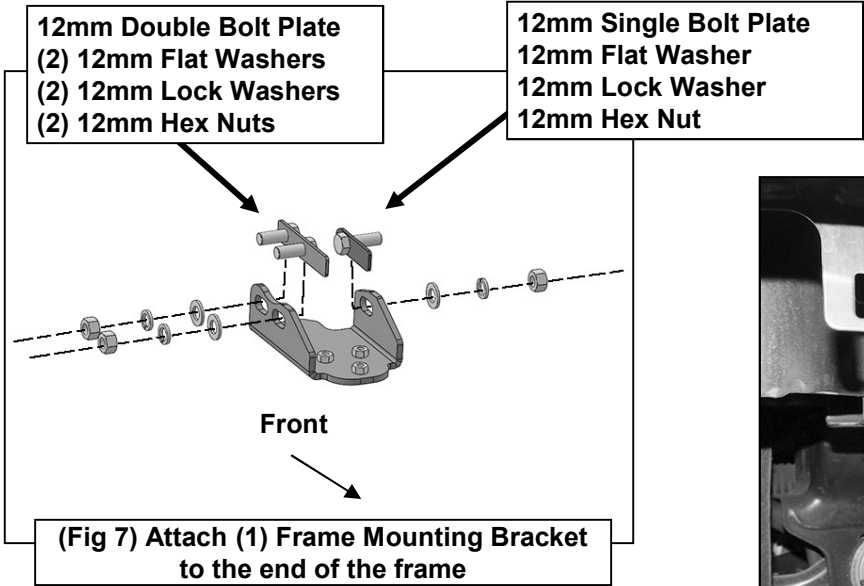
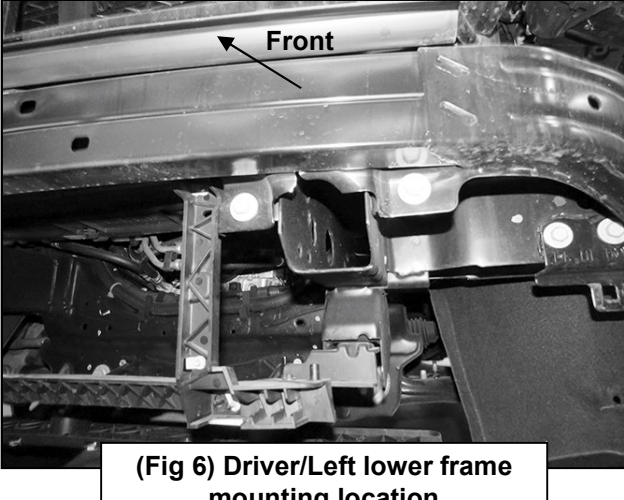
(Fig 2) Remove the top hardware securing the grille

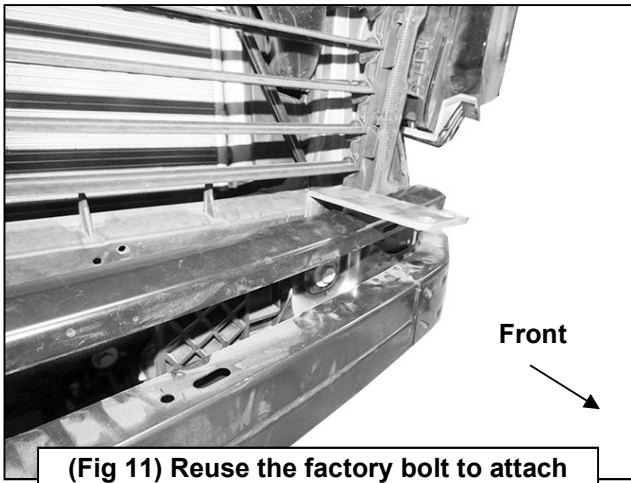


(Fig 3) Remove hardware attaching the splash guard and skid plate (if equipped)

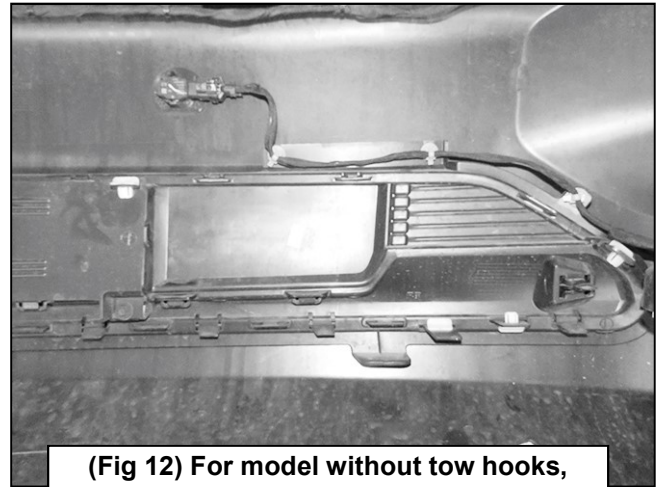


(Fig 4) Remove the hardware attaching the bumper to the frame

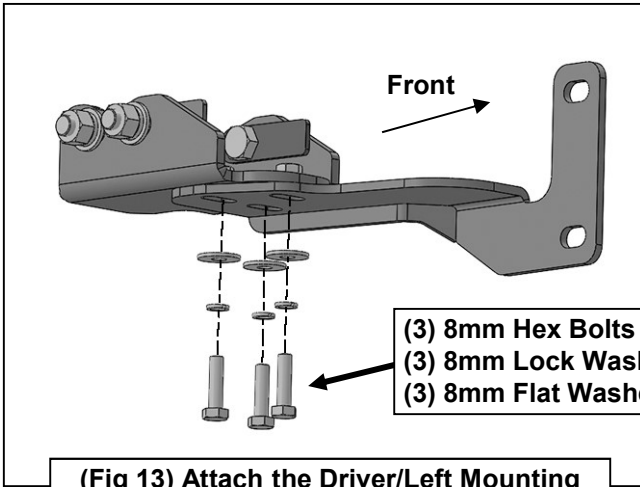




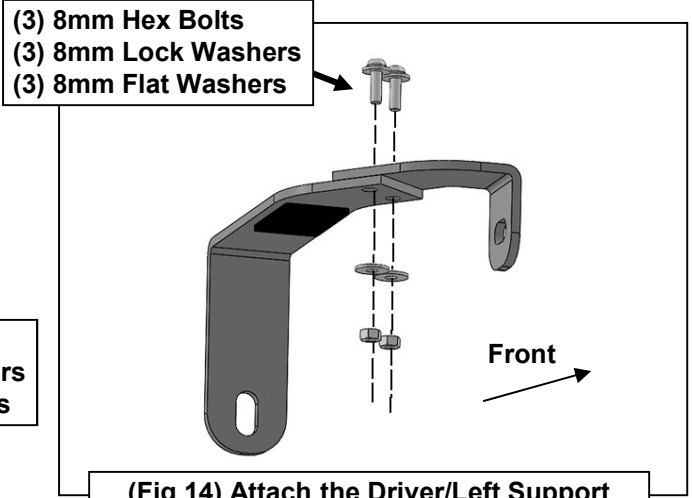
(Fig 11) Reuse the factory bolt to attach the Driver/Left Frame Support Bracket



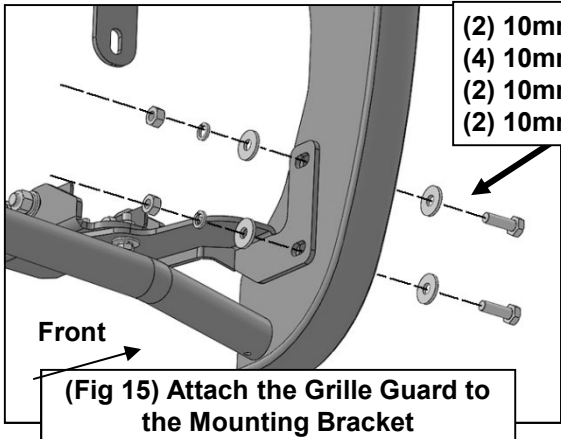
(Fig 12) For model without tow hooks, remove the plastic panel



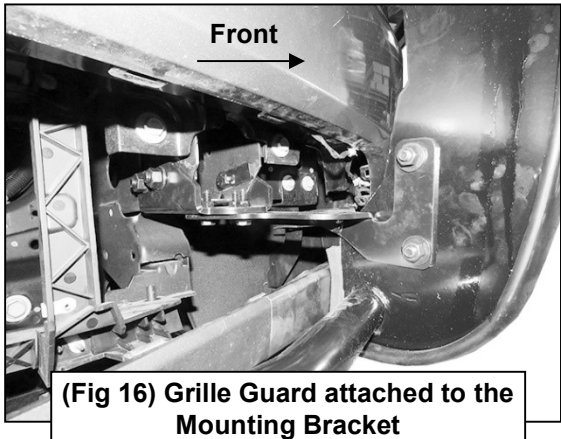
(Fig 13) Attach the Driver/Left Mounting Bracket to the Frame Mounting Bracket



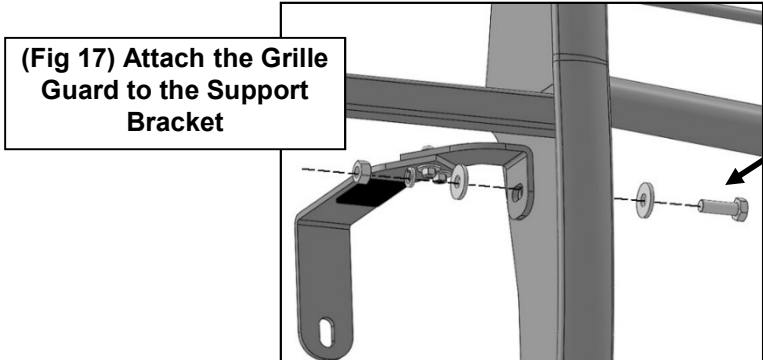
(Fig 14) Attach the Driver/Left Support Bracket to the Frame Support Bracket



(Fig 15) Attach the Grille Guard to the Mounting Bracket



(Fig 16) Grille Guard attached to the Mounting Bracket



(Fig 17) Attach the Grille Guard to the Support Bracket

**10mm Hex Bolt
2) 10mm Flat Washers
10mm Lock Washer
10mm Hex Nut**

PRODUCT CARE

- Periodically check the product to ensure all fasteners are tight and components are intact.
- Regular waxing is recommended to protect the finish of the product.
- Use ONLY Non-Abrasive automotive wax. Use of any soap, polish or wax that contains an abrasive is detrimental and can scratch the finish leading to corrosion.
- Aluminum polish may be used to polish small scratches and scuffs for Stainless Steel finish.
- Mild soap may be used to clean the product for both Stainless Steel and Black finish.

FAQ's

1. Hardware and mounting brackets are not aligning properly

Ensure that hardware is being used on the correct side of vehicle. In some cases, the hardware may appear the same for driver and passenger side but may alter the alignment of mounting location. Check mounting brackets for both sides.

2. Products are thumping / rattling after Installation

Ensure that all required mounting brackets / hardware's are installed & tightened correctly.

Suggest using white Lithium / regular grease between metal-to-metal contact.

3. Missing / Excess Hardware

Recheck hardware count as per the part list.

4. Product not installing properly

Ensure the Year / Make / Model as well as cab and bed dimensions are correct for the application. Review all steps for installation to ensure they were followed correctly.

5. Who should be contacted for questions regarding product / installation assistance?

www.trailfx.com / support@trailfx.com or 1-(866) 638-4870

Warranty Terms:

**Black Powder Coated:
Stainless Steel Polished:**

**3 Year Limited Warranty
Limited Lifetime Warranty**

TrailFX and Keystone Automotive Operations Inc. make no guarantees or warranties for products not manufactured by Keystone Automotive Operations Inc. Such products are covered solely under any applicable warranty of the manufacturer. It is always recommended that the operating instructions and warranty instructions provided by the manufacturer are followed.

Keystone Automotive Operations Inc. warrants its products to be free from manufacturing and material defects to the original purchaser for the length of warranty stated above from the date of retail purchase. If any products are found to have a manufacturing or material defect, the product will be replaced or repaired at the option of TrailFX and Keystone Automotive Operations Inc. with proof of purchase by the original purchaser. The original purchaser shall pay all transportation and shipping costs associated with the return of the defective product and the defective product shall become the property of Keystone Automotive Operations Inc.

The Warranty applies to Keystone Automotive Operations Inc. products used for individual and recreational purposes. Commercial usage of the Keystone Automotive Operations Inc. products limits the warranty to 90-days from date of purchase.

The Warranty applies only to Keystone Automotive Operations Inc. products which are found to be defective in manufacturing or material. This warranty does not apply to normal wear and tear of the finish placed on Keystone Automotive Operations Inc. products.

TrailFX and Keystone Automotive Operations Inc. are not responsible for any labor costs incurred for removal or replacement of the defective product.

TrailFX and Keystone Automotive Operations Inc. are not responsible for repair or replacement of any product under the limited warranty where the product was improperly installed, misapplied, altered, abused, neglected, overloaded, misused or damaged as a result of an accident, including any use of the product not in accordance with all product operating and safety instructions.

Without limiting the generality of the foregoing, TrailFX and Keystone Automotive Operations Inc. shall under no circumstances be liable for any incidental or consequential loss or damage whatsoever arising out of, or in any way relating to any such breach of warranty or claimed defect in, or non-performance of the products. Some states do not allow the exclusion or limitation of incidental or consequential damages, so the above exclusion or limitation may not apply to you.

This limited warranty gives you specific legal rights, and you may also have other rights that vary from state to state.